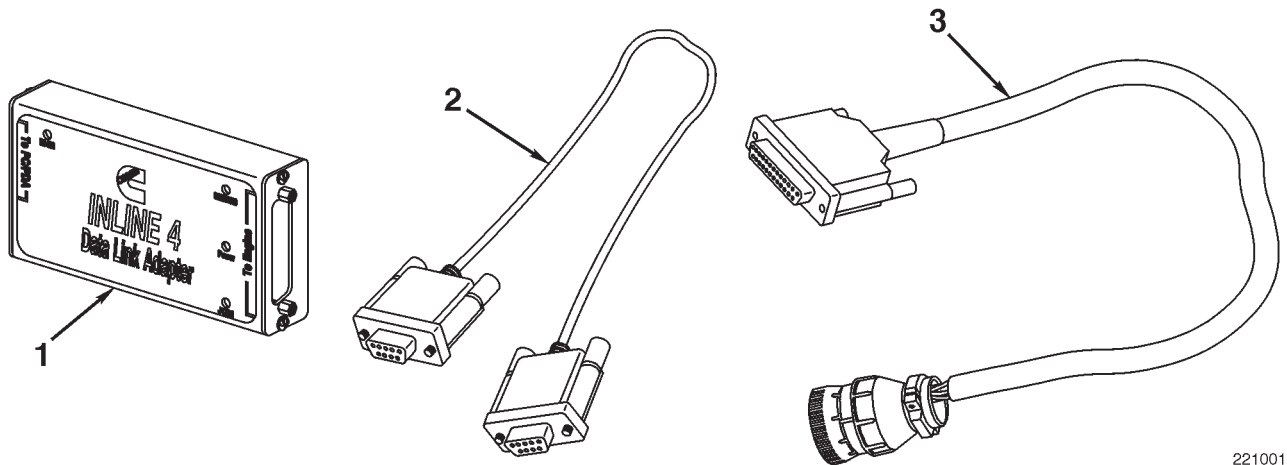




Service Tool Instruction

Description INLINE™ 4 Data link Adapter Kit		
Part Number 4918190	Date: 06-Dec-2007	Bulletin Number 3400195-2

This document provides information for the Cummins INLINE™ 4 data link adapter kit, Part Number 4918190, and the associated cables to connect a personal computer to the data link adapter. The INLINE™ 4 data link adapter is designed for use with the SAE J1708 and J1939 standard protocols. The INLINE™ 4 data link adapter is used with software applications such as INFORM™ 3.4, or PowerSpec 3.3 and later versions, to communicate with the ISB, ISC, ISL, M11, ISM, N14, Signature, and ISX engines.



22100112

Table 1, INLINE™ 4 Data link Adapter Kit, Part Number 4918190

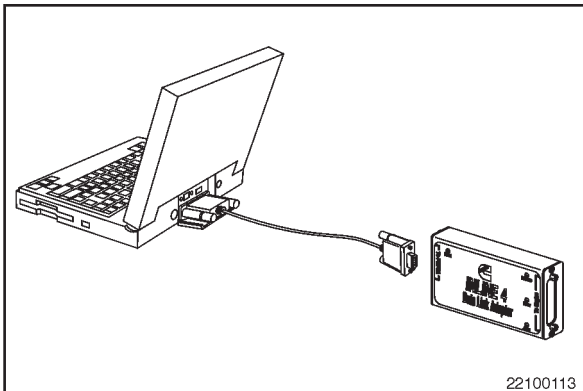
Item Number	Part Number	Description	Quantity
1	3165032	INLINE™ 4 data link adapter	1
2	3162850	DB9F-DB9M data link cable	1
3	3165160	Data link cable (DB25F 6-Pin Deutsch™ connector)	1
3	3165159	Data link cable (DB25F 9-Pin Deutsch™ connector)	1
Not shown	3165143	Storage case	1
Not shown	4918417	INLINE™ 4/5 software compact disc	1

Table 2, Items Used with INLINE™ 4 Data link Adapter Kit, Part Number 4918190, Purchased Separately

Item Number	Part Number	Description	Quantity
Not shown	3165141	DB25F 2-Pin Weather-Pack™ and 3-Pin Deutsch™ with Cigarette Plug connector	1
Not shown	3824438	DB25F 2-Pin Weather-Pack™ and Cigarette Plug connector	1
Not shown	3824440	DB25F 8-Pin AMP® connector	1
Not shown	3162849	2-Pin Weather-Pack™ and Cigarette Plug connector	1
Not shown	3162851	Extension DB9F to DB9M (30.48 M [100 feet])	1
Not shown	3163096	J1939 backbone adapter	1
Not shown	3163597	J1939 gender changer adapter	1
Not shown	3163646	3-Pin Deutsch™ and 3-Pin Weather-Pack™ adapter for Dodge™ pick-up	1

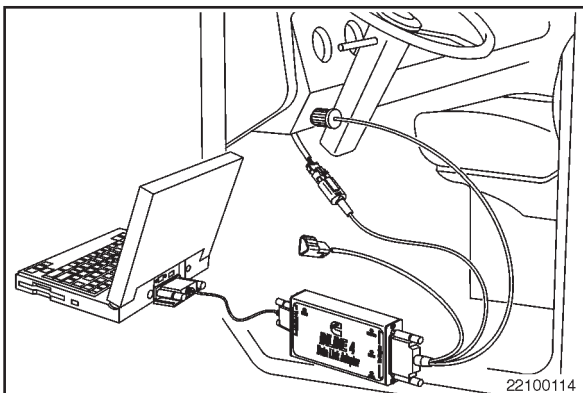
Table 2, Items Used with INLINE™ 4 Data link Adapter Kit, Part Number 4918190, Purchased Separately

Item Number	Part Number	Description	Quantity
Not shown	3162847	DB25F 3-Pin Deutsch™ and 2-Pin Weather-Pack™	1
Not shown	3165017	Palm universal cable	1



NOTE: A fully populated DB9F–DB9M, data link cable, Part Number 3162850, **must** be used.

Connect the DB9F–DB9M data link cable, Part Number 3162850, to the RS-232 serial port of the computer and to the INLINE™ 4 data link adapter, Part Number 3165032.



The INLINE™ 4 data link adapter requires + 8 to + 50 VDC at 250mA that can be supplied through the OEM connector or by a separate power source.

Connect the appropriate data link cable to the INLINE™ 4 data link adapter, Part Number 3165032.

With the data link cable connected to the INLINE™ 4 data link adapter, connect the other end of the data link cable to the vehicle cab or engine compartment data link connector.

Launch the electronic service tool application software.

INLINE™ 4 Data link Adapter Indicator Lamp Functions

- Power Lamp

When the power lamp is continuously illuminated, DC power is being supplied to the adapter at the proper voltage level. The INLINE™ 4 data link adapter requires + 8 VDC to + 50 VDC at 250mA that can be supplied through the OEM connector or by a separate power source.

When the power lamp is flashing, improper DC power is being supplied to the adapter. A slow flashing power lamp indicates VDC is less than + 8 volts. A fast flashing power lamp indicates VDC is greater than + 50 volts.

- J1939 Lamp

A J1939 fast flashing lamp indicates the adapter is connected to a J1939 data link, the vehicle key switch is in the ON position, and communications are being received. A J1939 slow flashing lamp indicates the adapter is transmitting over a J1939 data link, but is **not** receiving any messages.

- J1708 Lamp

A J1708 fast flashing lamp indicates the adapter is connected to a J1708 data link, the vehicle key switch is in the ON position, and communications are being received. A J1708 slow flashing lamp indicates the adapter is transmitting over a J1708 data link, but is **not** receiving any messages.

- RS–232 Lamp

A RS–232 fast flashing lamp indicates the adapter is connected to a RS–232 port, the vehicle key switch is in the ON position, and communications are being received. A RS–232 slow flashing lamp indicates the adapter is transmitting over a RS–232 port, but is **not** receiving any messages.